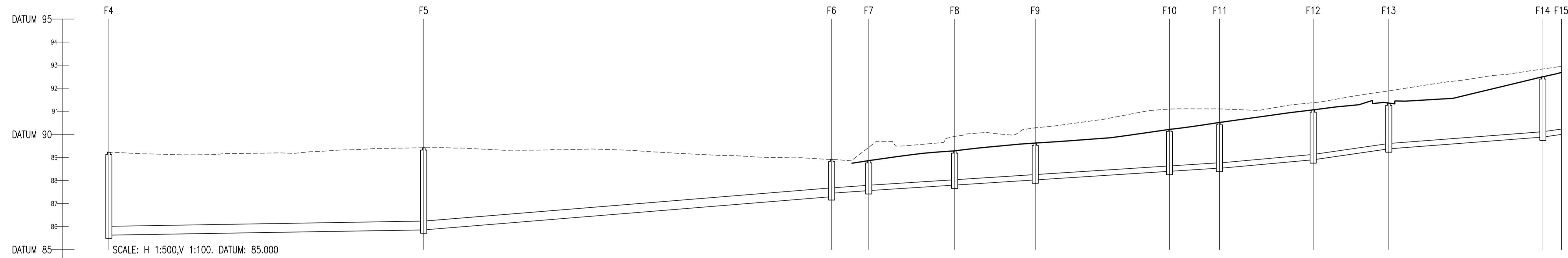
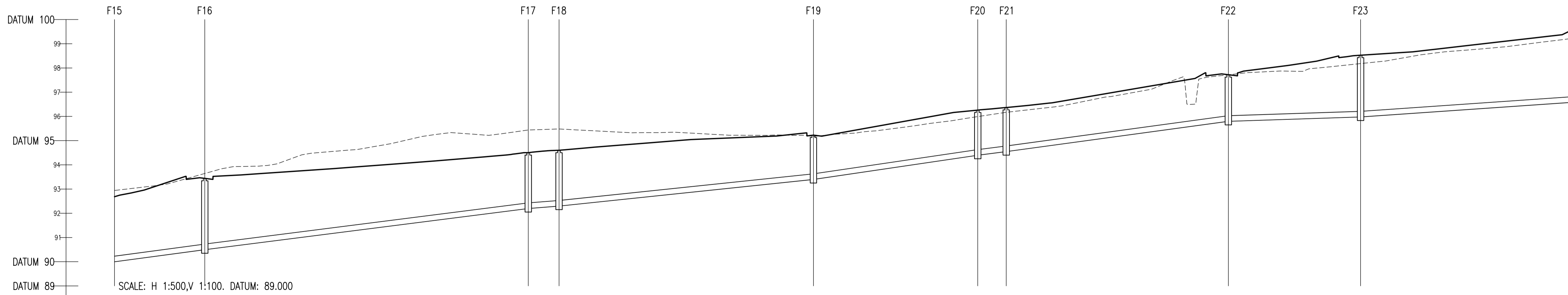


COVER LEVEL	86.253	86.745	87.360	88.880	89.224
INVERT LEVEL	84.300	84.692	84.981	85.425	85.632
DEPTH (m)	1.953	2.053	2.379	4.455	3.592
DISTANCE (m)	98.28	50.84	87.93	61.04	
PIPE SLOPE	1:251	1:189	1:189	1:295	
PIPE SIZE	375mm	375mm	375mm	375mm	

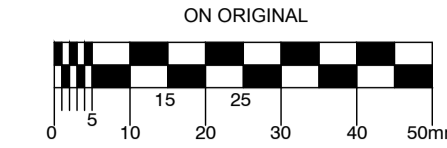


COVER LEVEL	89.224	89.419	88.919	88.882	89.284	89.623	90.219	90.516	91.492	91.355	92.469	92.684
INVERT LEVEL	85.632	85.980	87.450	87.584	87.803	88.027	88.401	88.539	88.900	88.975	89.885	90.000
DEPTH (m)	3.592	3.509	1.619	1.239	1.481	1.596	1.815	1.986	2.162	1.980	2.614	2.684
DISTANCE (m)	68.33	88.51	8.05	18.65	17.48	29.14	10.80	20.35	16.40	33.43	4.02	
PIPE SLOPE	1:300	1:61	1:71	1:78	1:78	1:78	1:225	1:225	1:225	1:225	1:66	1:35
PIPE SIZE	375mm	375mm	225mm	225mm	225mm	225mm	225mm	225mm	225mm	225mm	225mm	225mm



COVER LEVEL	92.684	93.441	94.503	94.601	95.227	96.260	96.368	97.722	98.525	99.443
INVERT LEVEL	90.000	90.500	92.200	92.300	93.400	94.400	94.500	95.800	95.900	96.600
DEPTH (m)	2.684	2.941	2.303	2.301	1.827	1.860	1.818	1.922	2.545	2.843
DISTANCE (m)	18.62	66.72	6.35	52.47	33.89	5.88	45.81	27.28	44.77	
PIPE SLOPE	1:37	1:39	1:63	1:48	1:34	1:39	1:37	1:152	1:72	
PIPE SIZE	225mm	225mm	225mm	225mm	225mm	225mm	225mm	225mm	225mm	

© COPYRIGHT OF THIS DRAWING IS RESERVED BY DBFL CONSULTING ENGINEERS. NO PART SHALL BE REPRODUCED OR TRANSMITTED WITHOUT THEIR WRITTEN PERMISSION.



- NOTES:**
- ALL DRAWINGS TO BE CHECKED BY CONTRACTOR ON SITE AND ENGINEER INFORMED OF DISCREPANCIES BEFORE WORK COMMENCES
  - ALL LEVELS ARE IN METRES AND ARE RELATED TO ORDNANCE DATUM
  - CONTRACTOR SHALL SATISFY HIMSELF AS TO THE ACCURACY OF PAVEMENT LEVELS ON SITE PRIOR TO COMMENCEMENT OF WORKS ON SITE
  - ALL WORKS TO BE CONSTRUCTED IN ACCORDANCE WITH THE NRA SPECIFICATION FOR ROAD WORKS UNLESS NOTED OTHERWISE
  - THIS DRAWING IS FOR PLANNING PURPOSES ONLY
  - MANHOLE COVER LEVELS ARE TO CONFORM WITH FINISHED ROAD AND PATH LEVELS
  - WHERE COVER TO PIPE IS LESS THAN 1200mm (ROAD/PATH/VERGE) OR 900mm (OPEN SPACE) SURROUND PIPE IN MINIMUM 150mm CONCRETE

**KEY**

--- --- EXISTING GROUND PROFILE  
 ———— PROPOSED GROUND PROFILE

REV.	DATE	DESCRIPTION	BY	CHKD.
<b>PLANNING</b>				
DESIGNED	NGC	PREPARED	PJC	
DATE	JULY 2019	CHECKED	DJR	

Dublin Office: Ormrod House, Upper Ormrod Quay, Dublin 7, Ireland. PHONE: +353 1 400 4000 FAX: +353 1 400 4050  
 WATERFORD Office: Unit 2, The Chandlery, 1-2 O'Connell Street, Waterford, Ireland. PHONE: +353 51 308 500 FAX: +353 51 844 913  
 DBFL Consulting Engineers email: info@dbfl.ie site: www.dbfl.ie

**PROJECT**  
 LANDS AT NEWCASTLE, SOUTH DUBLIN

**DRG. TITLE**  
 LONGITUDINAL SECTIONS THROUGH FOUL SEWER SHEET 1

**ARCHITECT**  
 MOLA

SCALE: H 1:500, V 1:100 @A1 FILE REF: 170024-3025  
 DRG. NO. 170024-3025